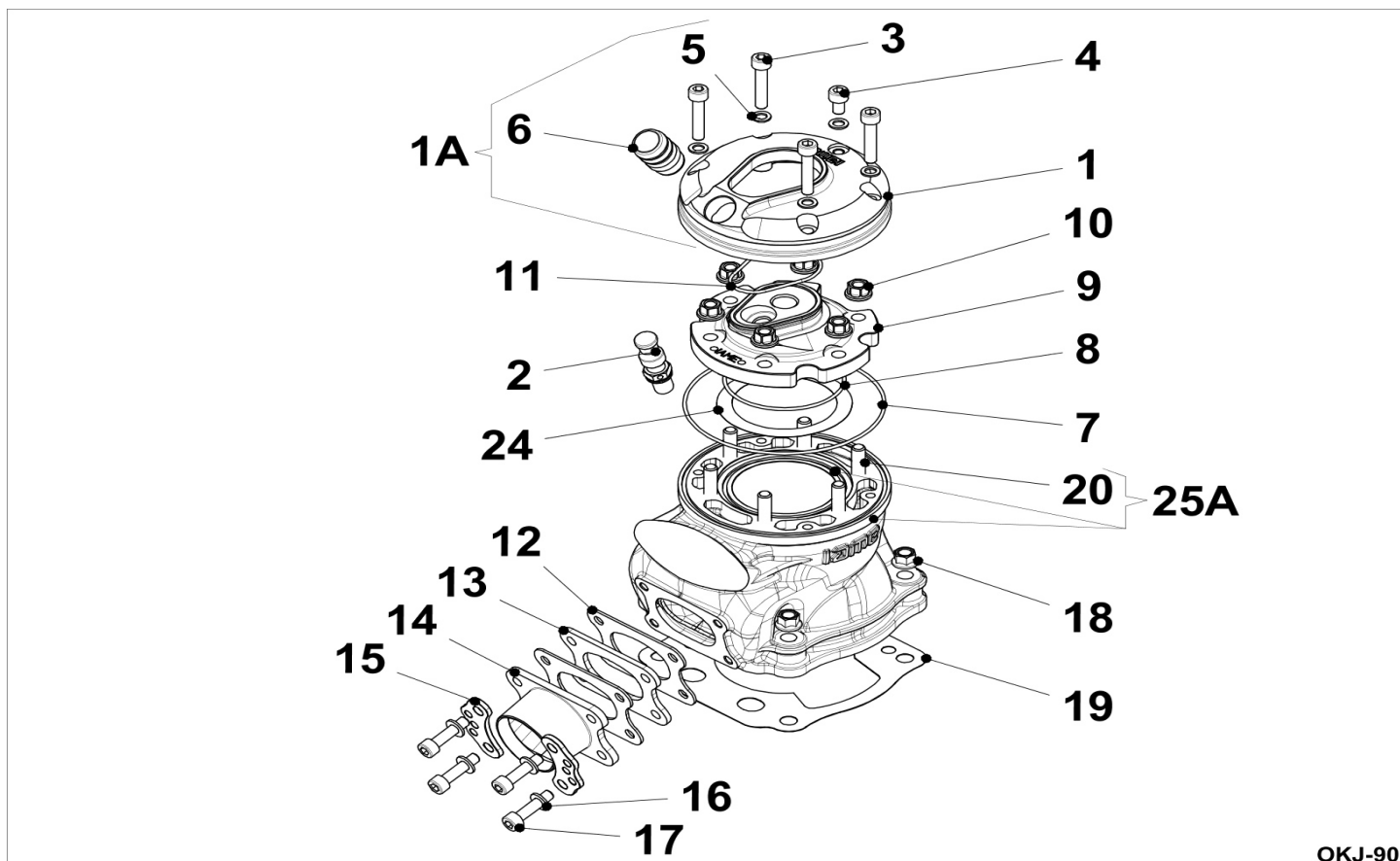


REEDSTER V - OKN/OKNJ 040-EN-66 - 2024



CYLINDER & CYLINDER HEAD



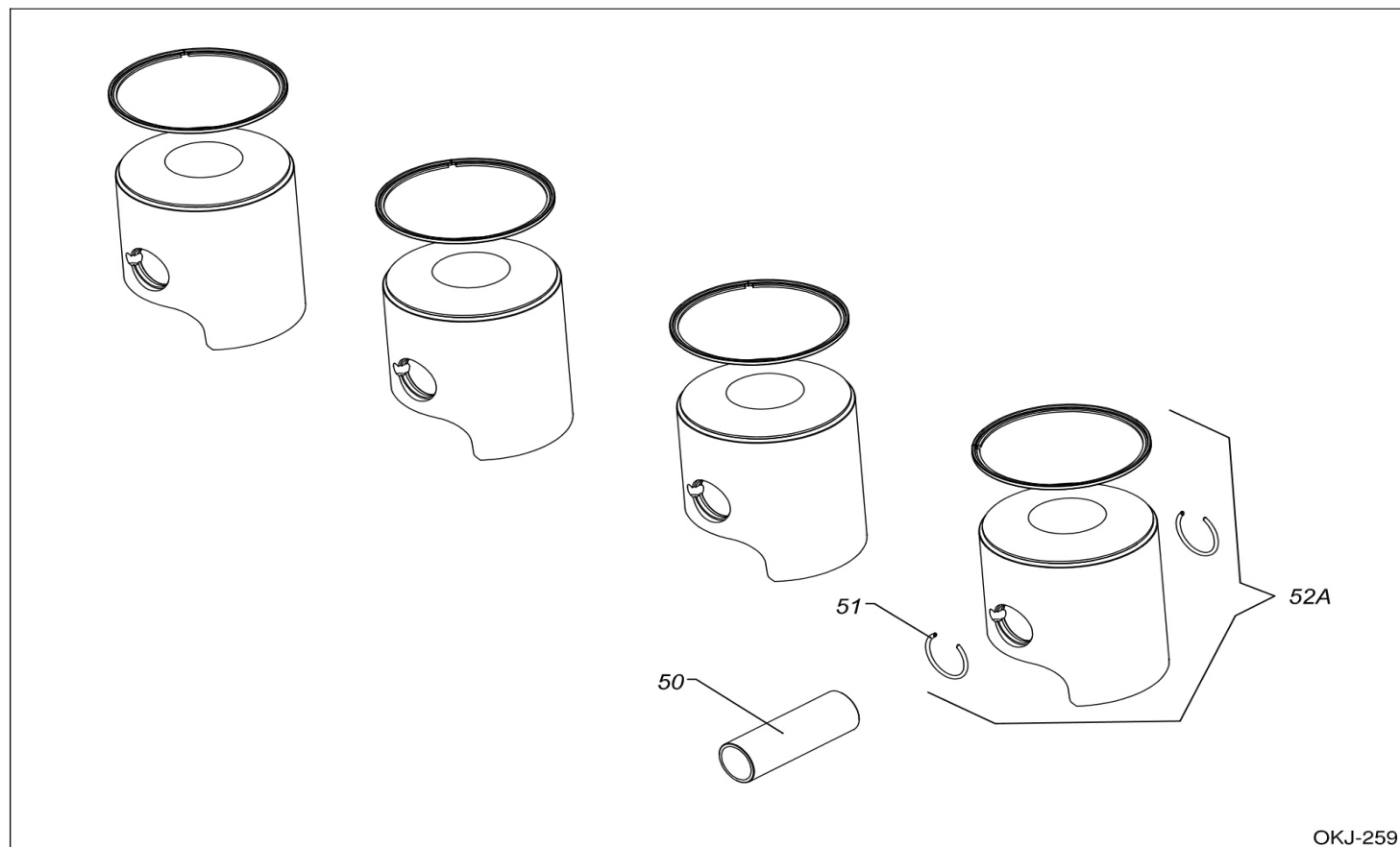
OKJ-901

POS	COD	DESCR
001	F2NA41000	CYLINDER HEAD COVER REEDSTER V OK/OKJ
001a	F2NA41000-C	CYLINDER HEAD COVER REEDSTER V OK/OKJ COMPLETE
002	F1NA44000	DECOMPRESSOR OK/OKJ

Planilha1

003	00072-K	KIT 20 SCREWS TCCE M 6x30 INOX
004	00069-K	KIT 20 SCREWS TCCE M 6X10 INOX
005	00345-K	KIT 20 M6 Cu WASHERS
006	F2NA40500	WATER PIPE FITTING
007	F2NA40300	OR 2400 101.32x1.78 VITON
008	IFA-42200	HEAD GASKET INT. OR REEDST/KZ
009	F3NA40102	HEAD DOME OK-N
010	Z2NA20300	HEAD NUT M7 INOX
011	F1NA42000	OR HEAD DOME/HEAD COVER
012	F2NA20501	EXHAUST GASKET OKJ '19
013	F2NH20501	EXHAUST SPACER REEDSTER V OKJ
014	F2NH02001	EXHAUST MANIFOLD REEDSTER V OKJ
014	F3NH02003	EXHAUST MANIFOLD REEDSTER V OK-NJ
015	F1NH20600	SPRINGS BRACKET
016	00331-K	KIT 20 EXHAUST WASHERS M6
017	00042-K	KIT 20 SCREWS TCCE 6x16
018	F2NA20300	FLANGED NUT M8
019	Z2NB10400-0.05	CYLINDER BASE GASKET KZ 5/100
019	Z2NB10400-0.1	CYLINDER BASE GASKET KZ 1/10
019	Z2NB10400-0.2	CYLINDER BASE GASKET KZ 2/10
019	Z2NB10400-0.3	CYLINDER BASE GASKET KZ 3/10
019	Z2NB10400-0.4	CYLINDER BASE GASKET KZ 4/10
019	Z2NB10400-0.5	CYLINDER BASE GASKET KZ 5/10
020	Z2NA20400	STUD BOLT INOX M 7 X 39
024	IFA-40200-0.025	HEAD GASKET CU 0.025 REED/KZ
024	IFA-40200-0.05	HEAD GASKET CU 0.05 REED/KZ
024	IFA-40200-0.10	HEAD GASKET CU 0.10 REED/KZ
024	IFA-40200-0.20	HEAD GASKET CU 0.20 REED/KZ
025A	F3NA01002	CYLINDER OK-N

PISTON



POS	COD	DESCR
050	IFA-20950	PISTON PIN 15x45
051	IFA-21050	CIRCLIP REEDSTER/KZ

Planilha1

052A	F1NA20602-53.77CV	PISTON OK 53.77V
052A	F1NA20602-53.79CV	PISTON OK 53.79V
052A	F1NA20602-53.81CV	PISTON OK 53.81V
052A	F1NA20602-53.83CV	PISTON OK 53.83V
052A	F1NA20602-53.85CV	PISTON OK 53.85V
052A	F1NA20602-53.87CV	PISTON OK 53.87V
052A	F1NA20602-53.89CV	PISTON OK 53.89V
052A	F1NA20602-53.91CV	PISTON OK 53.91V
052A	F1NA20602-53.93CV	PISTON OK 53.93V

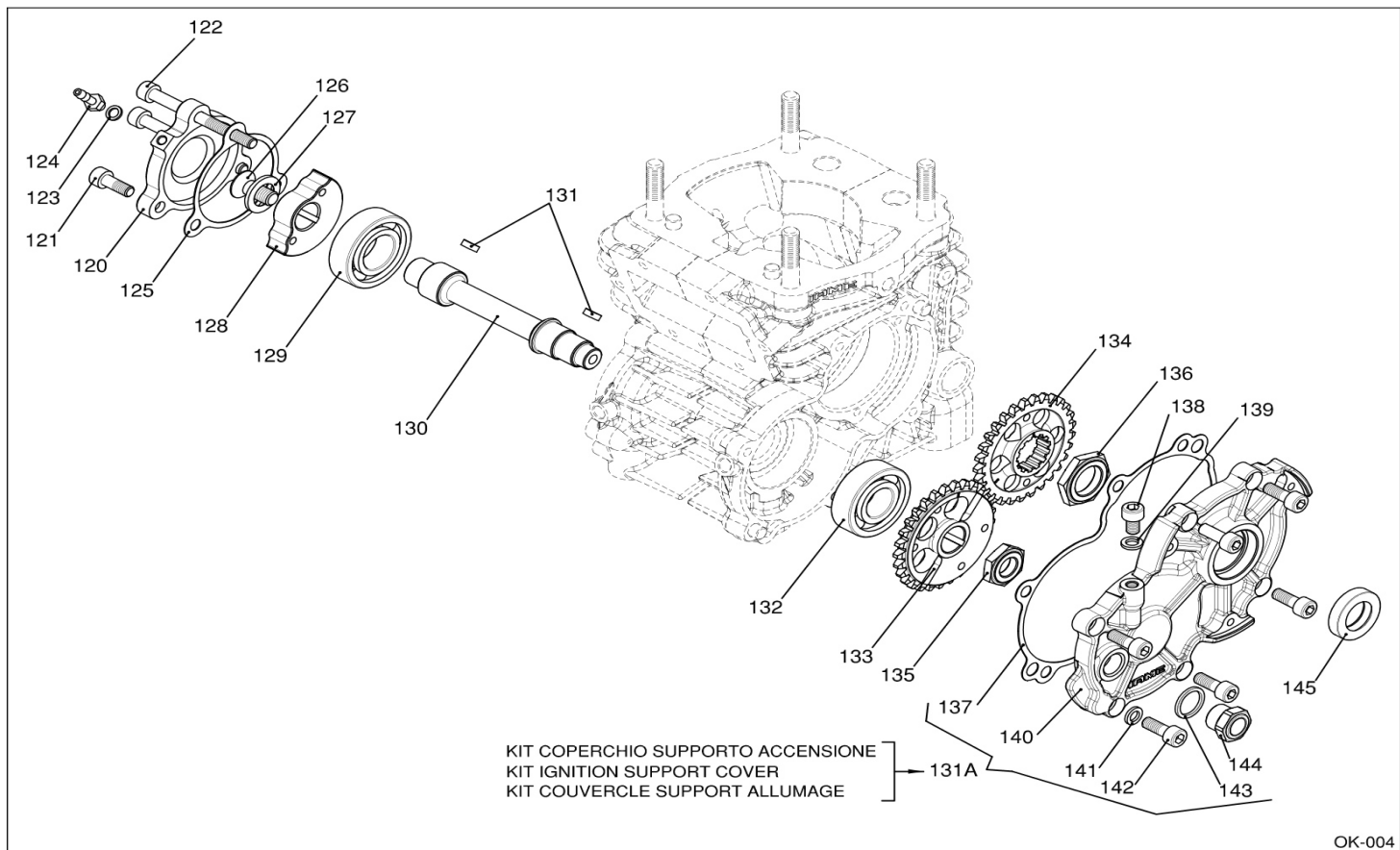
Planilha1

033	00113-K	KIT 20 SCREWS TS TORX M5x16
060A	F2NB01000	CRANKCASE REEDSTER V OK
061	00031-K	KIT OF 20 ALLEN SCREWS M5x16
062	F-100536	SHOULDER SHIM SPROCKET TOP
063	F1NF10100	SPROCKET OK/OKJ Z11
063	F1NF10101	SPROCKET OK/OKJ Z12
063	F1NF10102	SPROCKET OK/OKJ Z13
063	F1NF10103	SPROCKET OK/OKJ Z9
063	F1NF10104	SPROCKET OK/OKJ Z14
063	F1NF10105	SPROCKET OK/OKJ Z10
064	E-10426	OIL SEAL FPJ 20x35x7
065	B-71805	PRESSURE Cu FITT. GASKET
066	X30125490	PRESSURE PLUG
067	X30125425A	OIL SEAL MAGN./DRIVE SIDE
068	D-75565	THRUST INT.WASHER H=1,8mm
069	10535	SPROCKET AND MAGNETO NUT
070	30404	STEEL SHIM 0.15
070	30407	STEEL SHIM 0.10
071	35398A	ROLLER BEARING 6205 BC1-1442D
072	F2NC20100	HALF CRANKSHAFT TRANS. SIDE REEDSTER V OK '19
073	F2NC30100	HALF CRANKSHAFT IGNITION SIDE REEDSTER V OK '19
074	11715	SHAFT END/SPROCKET/MAGNETO KEY
075	IFA-40500	WATER PIPE FITTING
077	F1NC80500	OIL SEAL SUPPORT
078	F1NB42000	OR OIL SEAL SUPPORT
080	IFA-20200	STUDBOLT M8x51
082	X30125436	SILVER BRONZE WASHER
083	X30125431	BIG END CAGE
084	S1699/1	CRANK PIN 20x48.8

Planilha1

085A	F1NC50100-C	CONROD 104mm OK/OKJ
086A	F2NC00100	CRANKSHAFT REEDSTER V OK '19
087	IFC-50350	SMALL END ROLLER CAGE
088	F1NG60000	OIL BREATHER WASHER
089	F1NG50000	OIL BREATHER
091	00050-K	KIT OF 20 ALLEN SCREWS 6x50
092	00053-K	20 SCREWS KIT M6X65
093	F2NC30201	STUFFER OKJ D. 87,50mm
094	F2NC90000	SEEGER A 13 UNI 7435

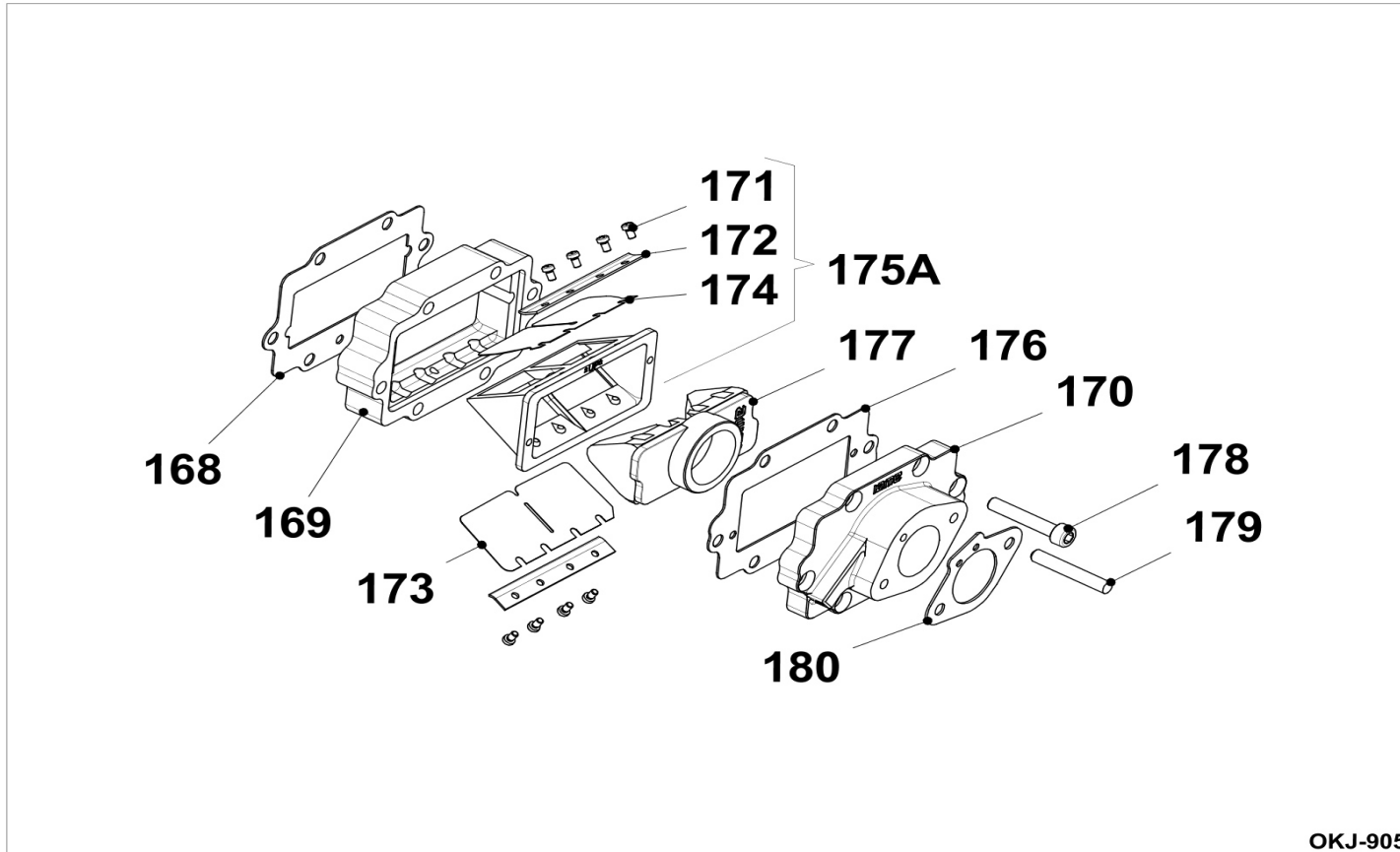
COUNTERSHAFT ASSY



Planilha1

POS	COD	DESCR
120	F1NB40601	BALANCED MASS COVER OK/OKJ
121	00042-K	KIT 20 SCREWS TCCE 6x16
122	00053-K	20 SCREWS KIT M6X65
123	F1NG60000	OIL BREATHER WASHER
124	F1NG50000	OIL BREATHER
125	F1NB45100	BAL. MASS COVER GASKET OK/OKJ
126	00139-K	KIT OF 20 ALLEN SCREWS 8x20
127	F1NC81000	BALANCED MASS WASHER
128	F1NC80900	BALANCED MASS
129	10402	BALL BEARING SKF 6004 TN9 C4
130	F1NC80000	MASS SUPPORT SHAFT OK/OKJ
131	11715	SHAFT END/SPROCKET/MAGNETO KEY
131A	000-VACANT	000-VACANT
132	IFB-20501	BALL BEARING 6203 C4
133	F1NC80800	MASS DRIVEN GEAR
134	F1NC80100	COUNTERSHAFT DRIVE GEAR
135	F1NC80200	MASS GEAR FIXING BOLT
136	IFC-80201	LOCKING NUT
137	F1NB41400	IGN. SIDE COVER GASKET OK/OKJ
138	00041-K	KIT 20 SCREWS M6x10
139	00345-K	KIT 20 M6 Cu WASHERS
140	F1NB40400	GEARS COVER OK/OKJ
141	00345-K	KIT 20 M6 Cu WASHERS
142	00042-K	KIT 20 SCREWS TCCE 6x16
144	IZB-90000	OIL LEVEL GAUGE
145	IFB-40800A	OIL SEAL KF1-2-3

INLET

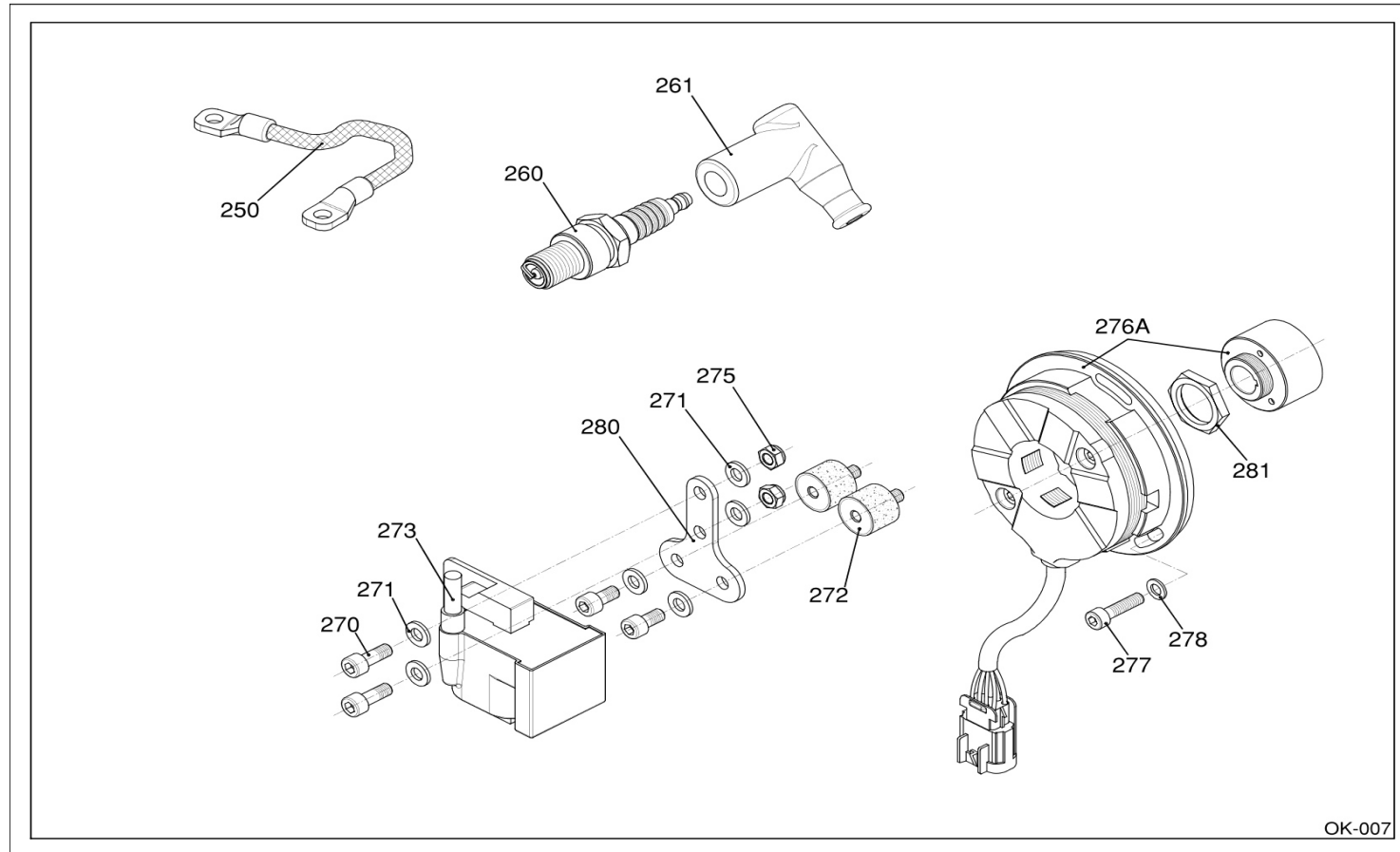


POS	COD	DESCR
168	F1NB40800	REED BLOCK HOLDER GASKET
169	F1NB41600	REED BLOCK FLANGE HOLDER

Planilha1

170	F2NB41000	CONVEYOR REEDSTER V OK '19
171	10380	REEDS SCREW
172	IFG-20250	REEDSTER REEDS CLIP
173	IFG-20350	CARBON PETAL REEDSTER 0.26
174	IFG-20350-C2	CARBON PETALS KIT 0.26
175A	F1NG02000	REED BLOCK OK
176	F1NB41100	CONVEYOR GASKET REEDSTER
177	F2NB40900	CONVEYOR PYRAMID REEDSTER V OK/OKJ '19
178	00047-K	KIT OF 20 ALLEN SCREWS 6x35
179	10358	STUDBOLT 6x34
180	10360-B	CARBURETOR GASKET

IGNITION

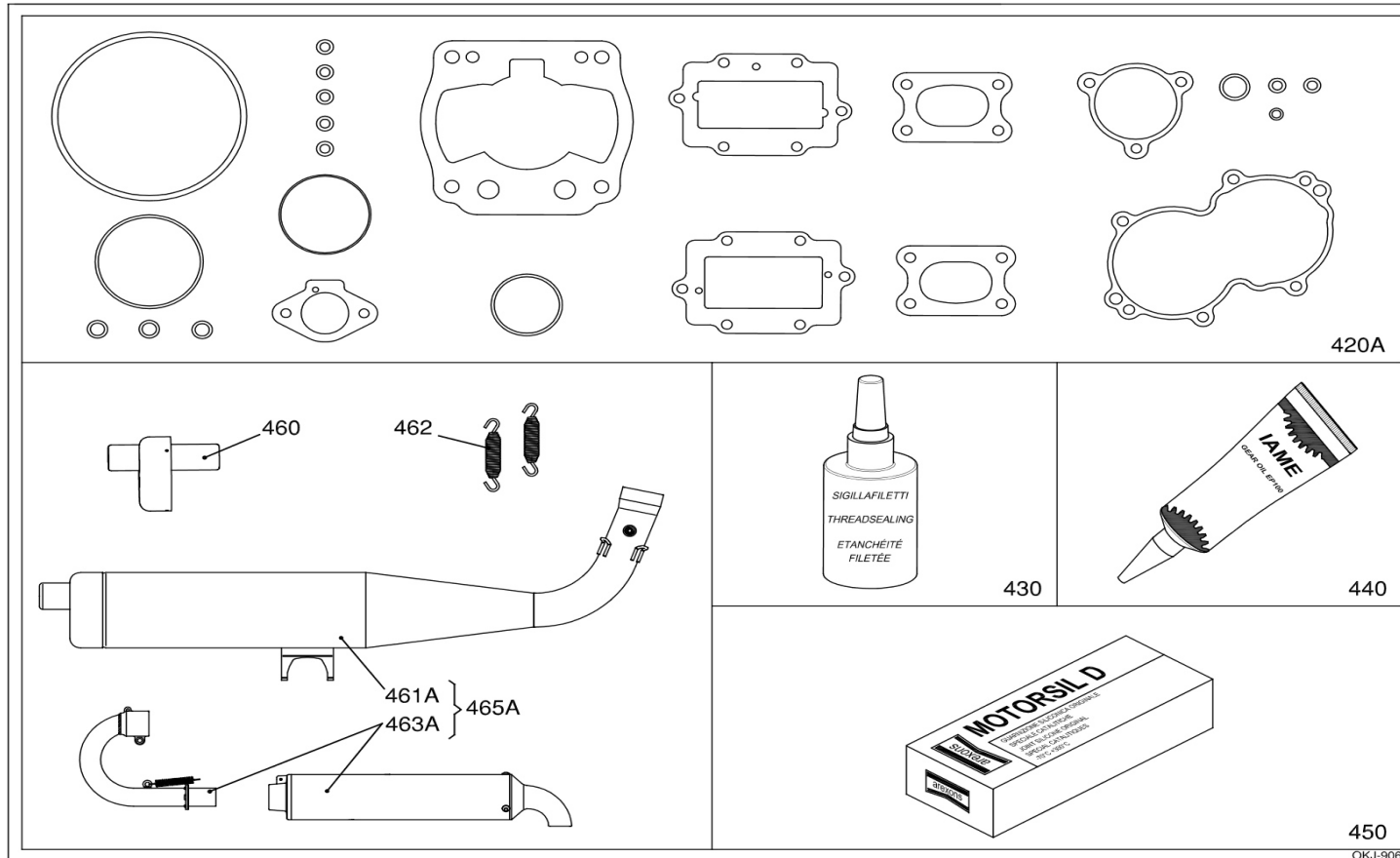


Planilha1

POS	COD	DESCR
250	B-35805-A	COIL GROUND CABLE
260	10561-A	SPARK PLUG NGK BR10EG
261	10544	SPARK PLUG CAP 5KOhm
270	00042-K	KIT 20 SCREWS TCCE 6x16
271	00302-K	KIT 20 WASHERS M6
272	X30125910	SILENT BLOCK BATTERY SUPPORT
273	F2NE02000	IGNITION OK/OK/OK-N SLT
275	00378-K	20 SELF LOCKING NUTS KIT M6
276A	F1NE03001A	ELECTRONIC BOX SLT OK-N
277	00032-K	KIT OF 20 SCREWS TCCE 5x20
278	IFE-20900	LOCK WASHER - STATOR
279	F1NE31200	IGN. COIL SUPPORT BRACKET

Planilha

EXHAUST SYSTEM & GASKETS



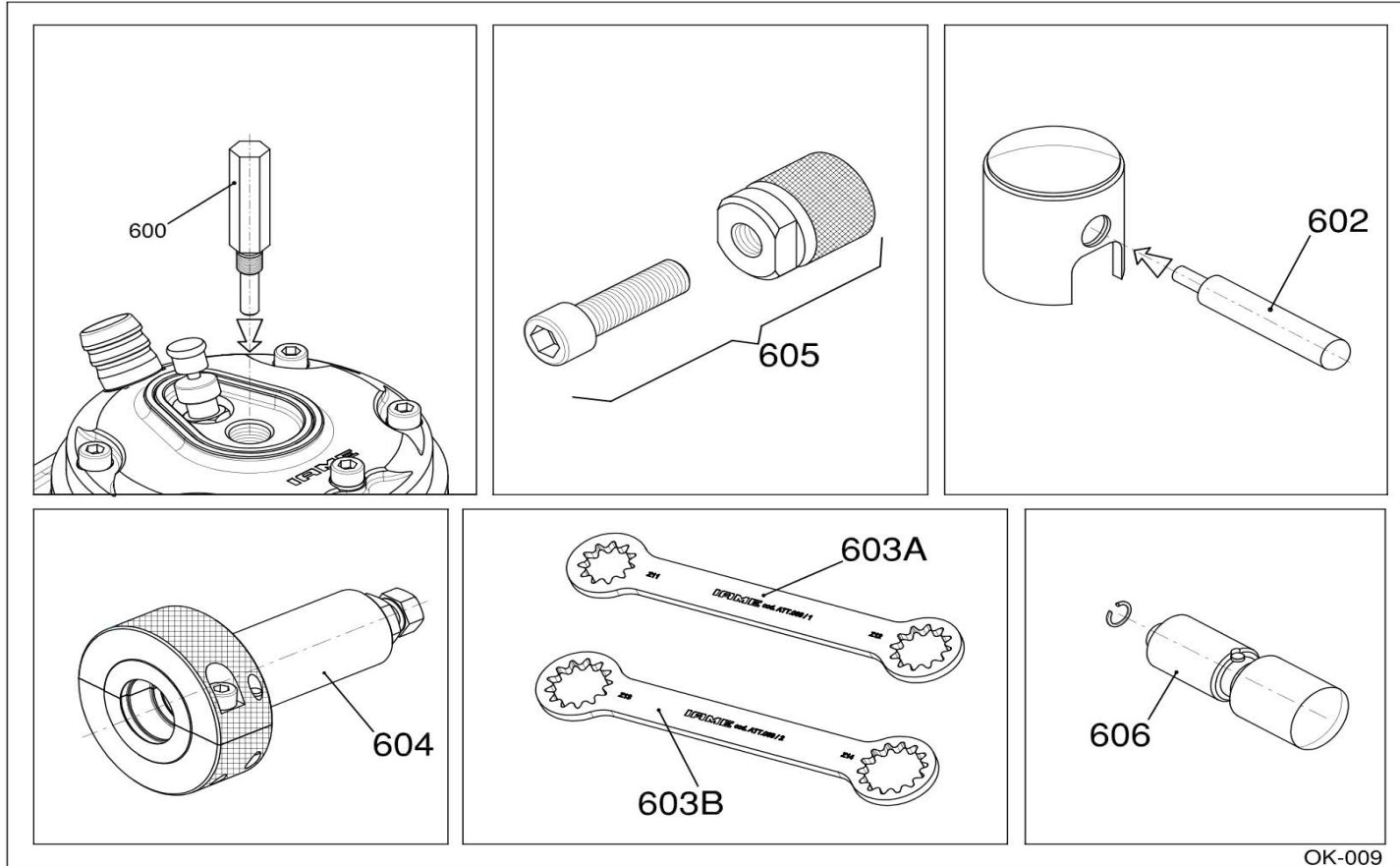
POS COD DESCR

Planilha1

430	00600	PIPE FITTING SEAL
440	00606	GEAR G-EP100 WLAD.
450	00602	GASKET AREXON
460	10721-A	SILENCER END
462	IFH-55101	EXHAUST SPRING
463A	F3NH06000-C	EXHAUST SILENCER OK WITH TAIL
465A	F3NH04000	EXHAUST OK T23

Planilha

TOOLS

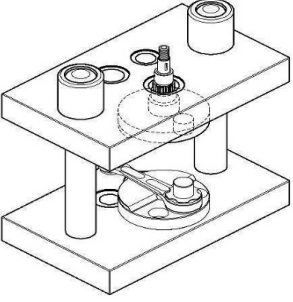
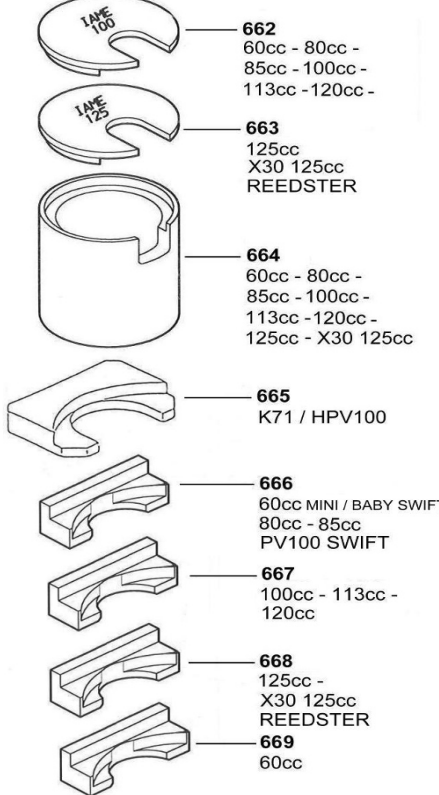
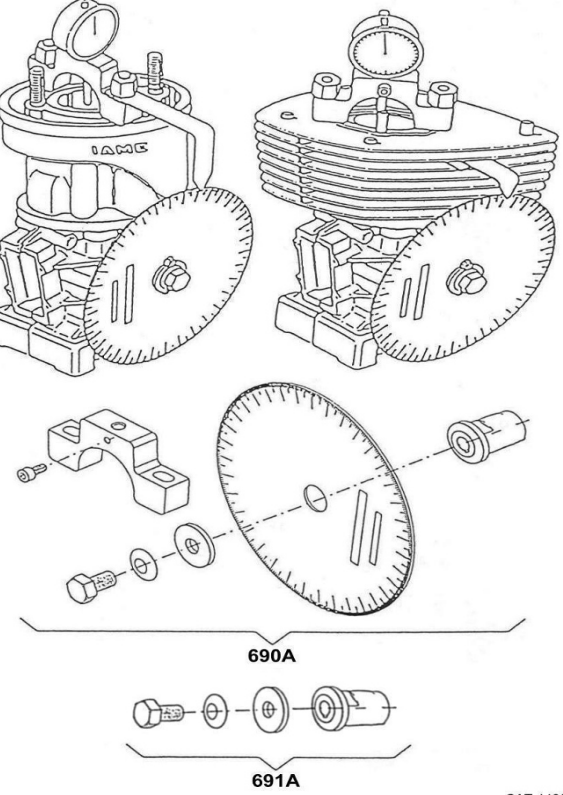
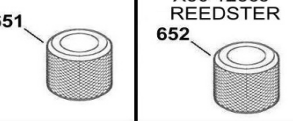
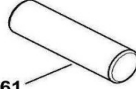


POS	COD	DESCR
600	10271	PISTON STROKE LOCKER
601A	ATT-010	GEAR PULLER REEDSTER

Planilha1

602	ATT-017	PISTON PIN PUNCH d.15mm
603A	ATT-066/1	SPROCKET LOCKING TOOL Z11/Z12
603B	ATT-066/2	SPROCKET LOCKING TOOL Z13/Z14
604	ATT-048	BEARING RING PULLER
605	ATT-009	IGNITION PULLER REEDSTER
606	ATT-006	CIRCLIP 15mm ASSEM.TOOL

Cranksh.Ass./Disass. Timing control group

<p>650 ATTREZZO MONTAGGIO ALBERO ASSEMBLY CRANKSHAFT TOOL OUTIL MONTAGE VILEBREQUIN</p> 	 <ul style="list-style-type: none"> 662 60cc - 80cc - 85cc - 100cc - 113cc - 120cc - 663 125cc X30 125cc REEDSTER 664 60cc - 80cc - 85cc - 100cc - 113cc - 120cc - 125cc - X30 125cc 665 K71 / HPV100 666 60cc MINI / BABY SWIFT 80cc - 85cc PV100 SWIFT 667 100cc - 113cc - 120cc 668 125cc - X30 125cc REEDSTER 669 60cc 	 <p>690A</p> <p>691A</p>
<p>651</p> <p>X30 125cc REEDSTER</p> <p>652</p> 		
<p>661</p> <p>60cc - 80cc - 85cc - 100cc - 113cc - 120cc - 125cc - X30 125cc REEDSTER</p> 		

CAT-146/C

Planilha1

POS	COD	DESCR
650	10110A	CRANKSHAFT ASSY TOOL
652	10150A	CRANK-PIN BUSH 20mm
661	10107	CRANK-PIN PUSHER
663	10104A	CRANKSHAFT PLATE 125cc
664	10100	CRANKSH. DISASSY SUPPORT
668	10106B	CRANKSHAFT INSERT OK/OKJ
690A	10820A	TIMING CHECK DISC TaG/REEDSTER
691A	ATT-014-C	COMPLETE TIMING GROUP ADAPTER